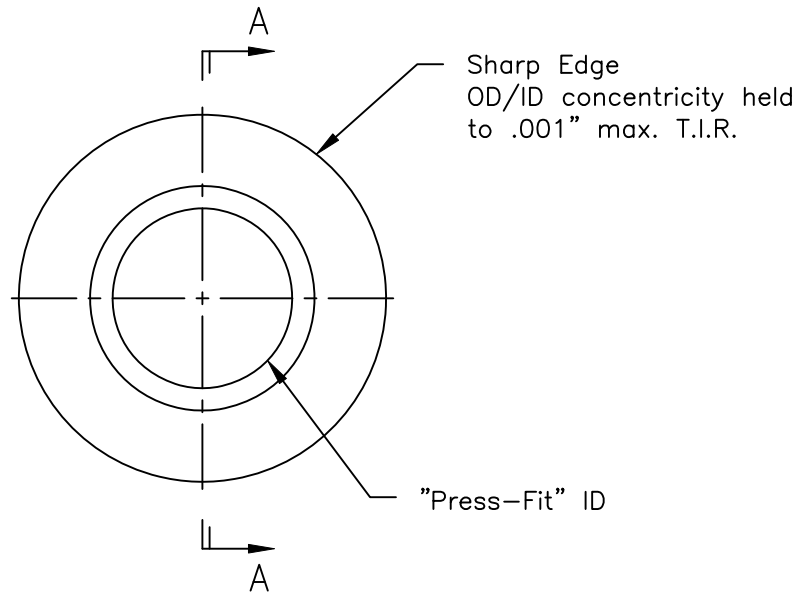


SECTION A-A



Circular knives are made from either 52100 or D2 steel and heat treated to a hardness of 61-63 R/C.

Other edges, materials, tolerances and hardnesses are always available for quote.

This print and the intellectual content is the property of Portage Machine Concepts, Inc. and must not be copied, transmitted or disseminated, in any way, without the written permission of Portage Machine Concepts, Inc.

WEB PRINT

PORTAGE KNIFE
COMPANY

MANUFACTURER OF
SCORE SLITTERS
AND PERFORATORS

A DIVISION OF PORTAGE MACHINE CONCEPTS, INC. AKRON, OHIO (330) 784-0700

125-40-000-.201 Circular Knife

SIZE A	DWG NAME: W125-40-000-201.dwg
-----------	----------------------------------

SCALE: NONE	DATE: 6/18/2020	DRAWN: D. MILLER	SHEET: 1 OF 1
-------------	-----------------	------------------	---------------