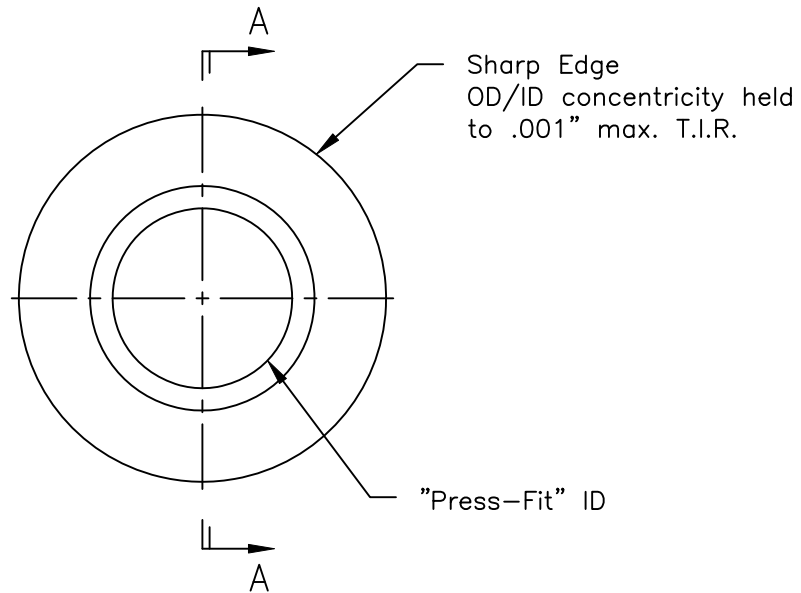


SECTION A-A



Circular knives are made from either 52100 or D2 steel and heat treated to a hardness of 61-63 R/C.

Other edges, materials, tolerances and hardnesses are always available for quote.

This print and the intellectual content is the property of Portage Machine Concepts, Inc. and must not be copied, transmitted or disseminated, in any way, without the written permission of Portage Machine Concepts, Inc.

WEB PRINT

PORTAGE KNIFE COMPANY MANUFACTURER OF
SCORE SLITTERS AND PERFORATORS
A DIVISION OF PORTAGE MACHINE CONCEPTS, INC. AKRON, OHIO (330) 784-0700

125-40-000 Circular Knife

SIZE A	DWG NAME: W125-40-000.dwg
-----------	------------------------------

SCALE: NONE	DATE: 11/27/2019	DRAWN: D. MILLER	SHEET: 1 OF 1
-------------	------------------	------------------	---------------