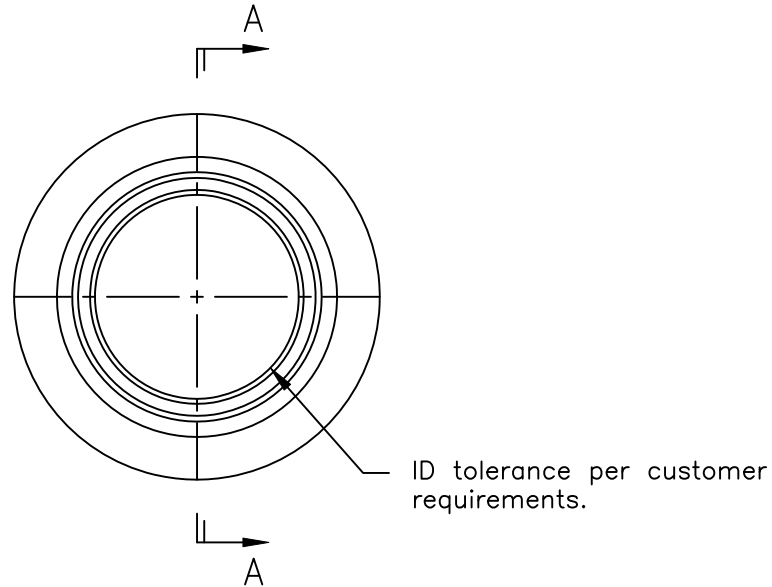


SECTION A-A



WEB PRINT

Circular knife is manufactured from 52100 material, heat treated to a hardness of 60-62 R/C.

PORTAGE KNIFE MANUFACTURER OF
COMPANY SCORE SLITTERS
 AND PERFORATORS
A DIVISION OF PORTAGE MACHINE CONCEPTS, INC. AKRON, OHIO (330) 784-0700

127-56-000 Circular Knife

SIZE A	DWG NAME: W127-56-000.dwg
-----------	------------------------------

This print and the intellectual content is the property of Portage Machine Concepts, Inc. and must not be copied, transmitted or disseminated, in any way, without the written permission of Portage Machine Concepts, Inc.

SCALE: NONE	DATE: 2/18/2021	DRAWN: D. MILLER	SHEET: 1 OF 1
-------------	-----------------	------------------	---------------