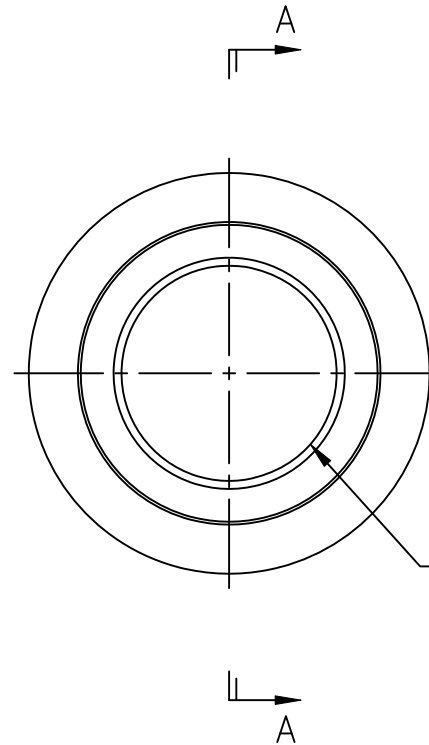


SECTION A-A



ID tolerance per customer requirements.

WEB PRINT

Circular knives are manufactured from D2, heat treated to a hardness of 57-59 R/C.

PORTAGE KNIFE
COMPANY

MANUFACTURER OF
SCORE SLITTERS
AND PERFORATORS

A DIVISION OF PORTAGE MACHINE CONCEPTS, INC. AKRON, OHIO (330) 784-0700

137-20-0025-D2 Circular Knife

SIZE A	DWG NAME: W137-20-0025-D2.dwg
-----------	----------------------------------

SCALE: NONE	DATE: 2/9/2021	DRAWN: D. MILLER	SHEET: 1 OF 1
-------------	----------------	------------------	---------------

This print and the intellectual content is the property of Portage Machine Concepts, Inc. and must not be copied, transmitted or disseminated, in any way, without the written permission of Portage Machine Concepts, Inc.