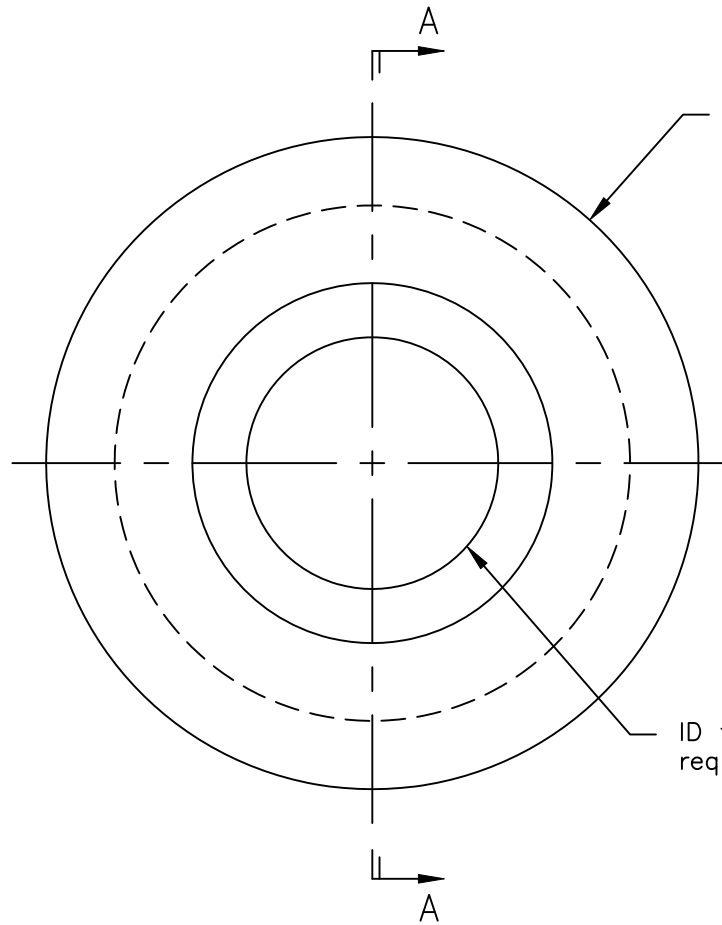


SECTION A-A



Cutting edge per customer requirements. Typically anywhere from a sharp edge up to a .007" radius.

Custom edges with other radii are also available.

ID tolerance per customer requirements.

WEB PRINT

Circular knives are heat treated, to a hardness specified by customer requirements, up to 63 R/C.

Our circular knives are typically made from 52100 steel, but are also available in other tool steels such as D2 and M2. Other materials are also available for quote.

PORTAGE KNIFE COMPANY

MANUFACTURER OF
SCORE SLITTERS
AND PERFORATORS

A DIVISION OF PORTAGE MACHINE CONCEPTS, INC. AKRON, OHIO (330) 784-0700

220-60 Circular Knife

SIZE
A

DWG NAME:

W220-60.dwg

SCALE: NONE

DATE: 08/21/2017

DRAWN: D. MILLER

SHEET: 1 OF 1