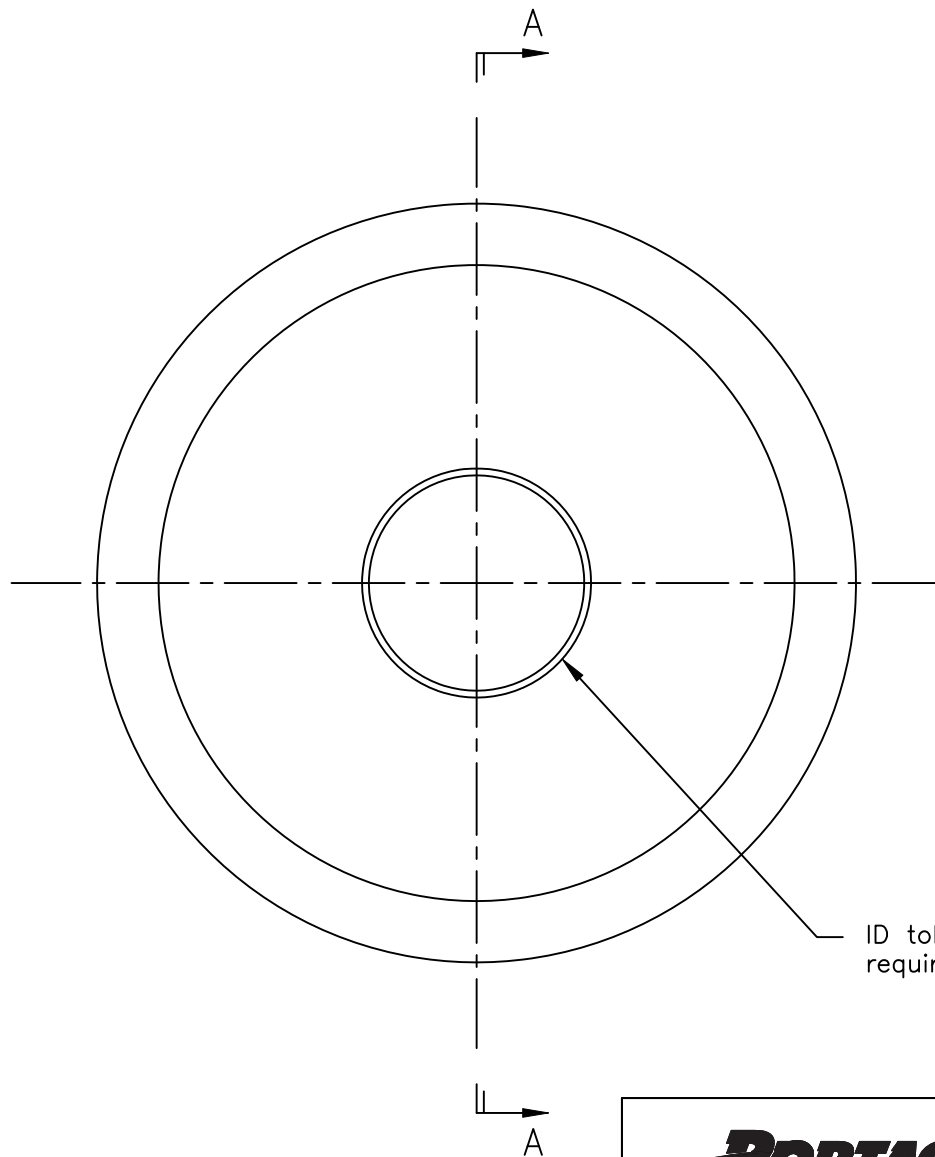


SECTION A-A



ID tolerance per customer requirements.

WEB PRINT

Circular knives are made from 52100 steel and heat treated to a hardness of 58-60 R/C.

**PORTAGE KNIFE** MANUFACTURER OF  
**COMPANY** SCORE SLITTERS  
 AND PERFORATORS  
A DIVISION OF PORTAGE MACHINE CONCEPTS, INC. AKRON, OHIO (330) 784-0700

260B-60-002 Circular Knife

SIZE A	DWG NAME: W260B-60-002.dwg
-----------	-------------------------------

SCALE: NONE	DATE: 10/3/2019	DRAWN: D. MILLER	SHEET: 1 OF 1
-------------	-----------------	------------------	---------------

This print and the intellectual content is the property of Portage Machine Concepts, Inc. and must not be copied, transmitted or disseminated, in any way, without the written permission of Portage Machine Concepts, Inc.