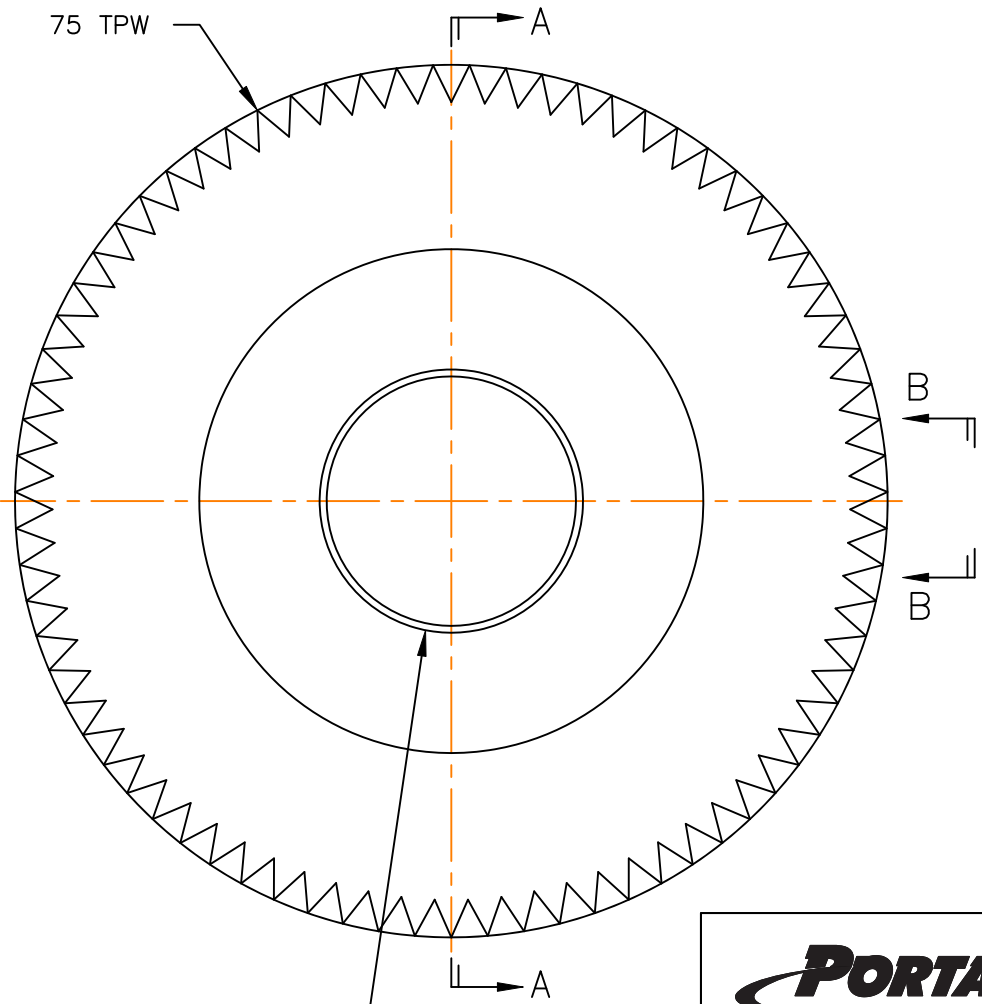
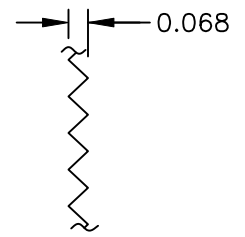
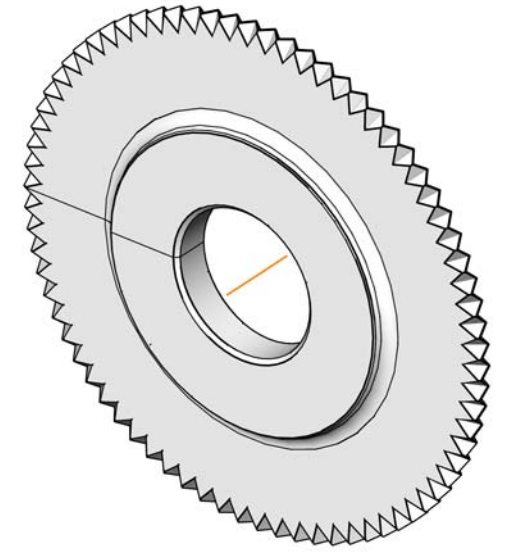


SECTION A-A



ID tolerance per customer requirements.



VIEW B-B

WEB DRAWING

PORTAGE KNIFE COMPANY MANUFACTURER OF SCORE SLITTERS AND PERFORATORS
A DIVISION OF PORTAGE MACHINE CONCEPTS, INC. AKRON, OHIO (330) 784-0700

300P-75-068 Circular Knife

SIZE A	DWG NAME: W300P-75-068.dwg
-----------	-------------------------------

Pinker knives are typically made from 52100 or D2 steel and heat treated, to a hardness specified by customer requirements, up to 63 R/C.

This print and the intellectual content is the property of Portage Machine Concepts, Inc. and must not be copied, transmitted or disseminated, in any way, without the written permission of Portage Machine Concepts, Inc.