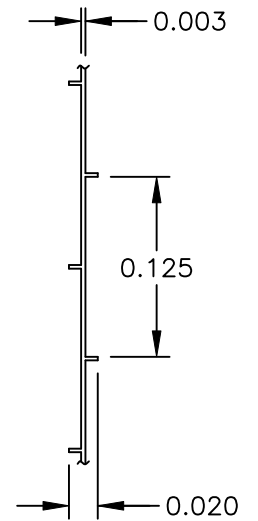
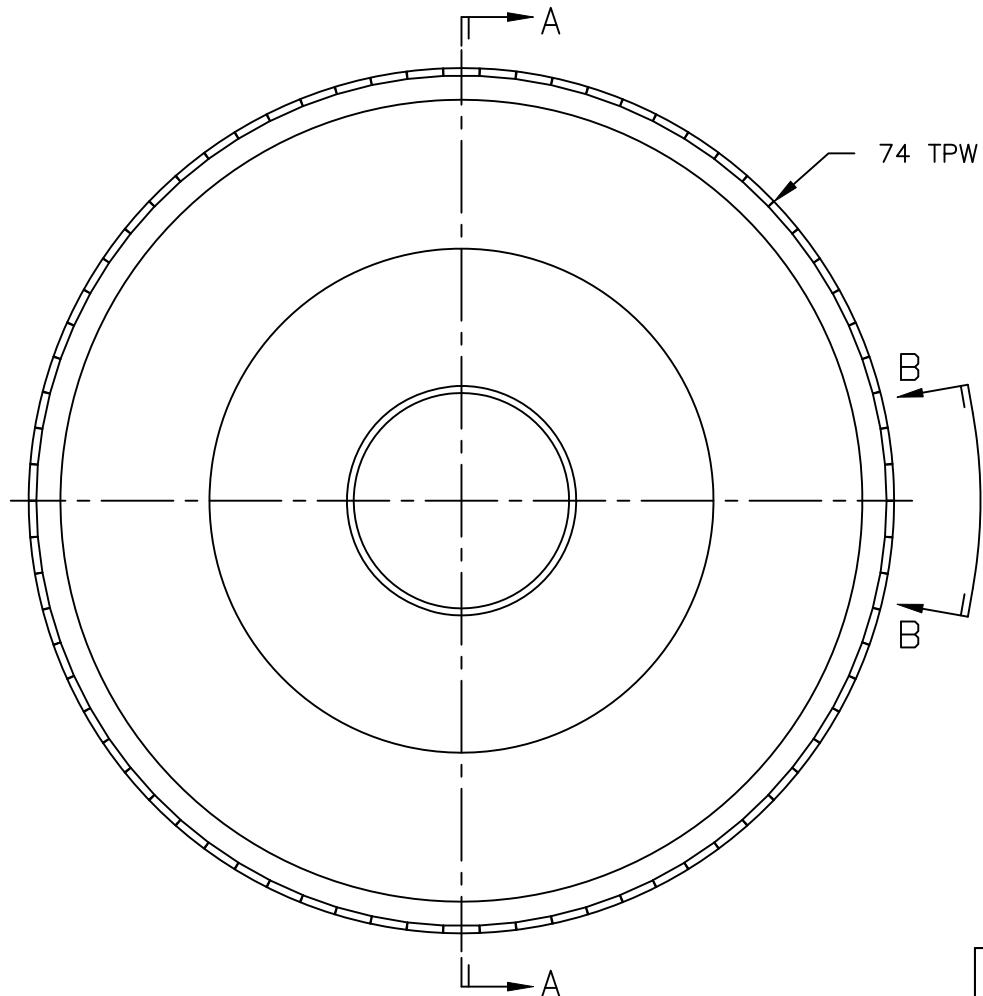


SECTION A-A



VIEW B
(TYP. DETAIL)
(5X SIZE)

WEB PRINT

Circular knives are made from 52100 steel, heat treated to a hardness of 61-63 R/C.

PORTAGE KNIFE COMPANY MANUFACTURER OF
SCORE SLITTERS AND PERFORATORS
A DIVISION OF PORTAGE MACHINE CONCEPTS, INC. AKRON, OHIO (330) 784-0700

300Z-74 Inline Zipper

SIZE A	DWG NAME: W300Z-74.dwg		
SCALE: NONE	DATE: 11/15/2017	DRAWN: D. MILLER	SHEET: 1 OF 1