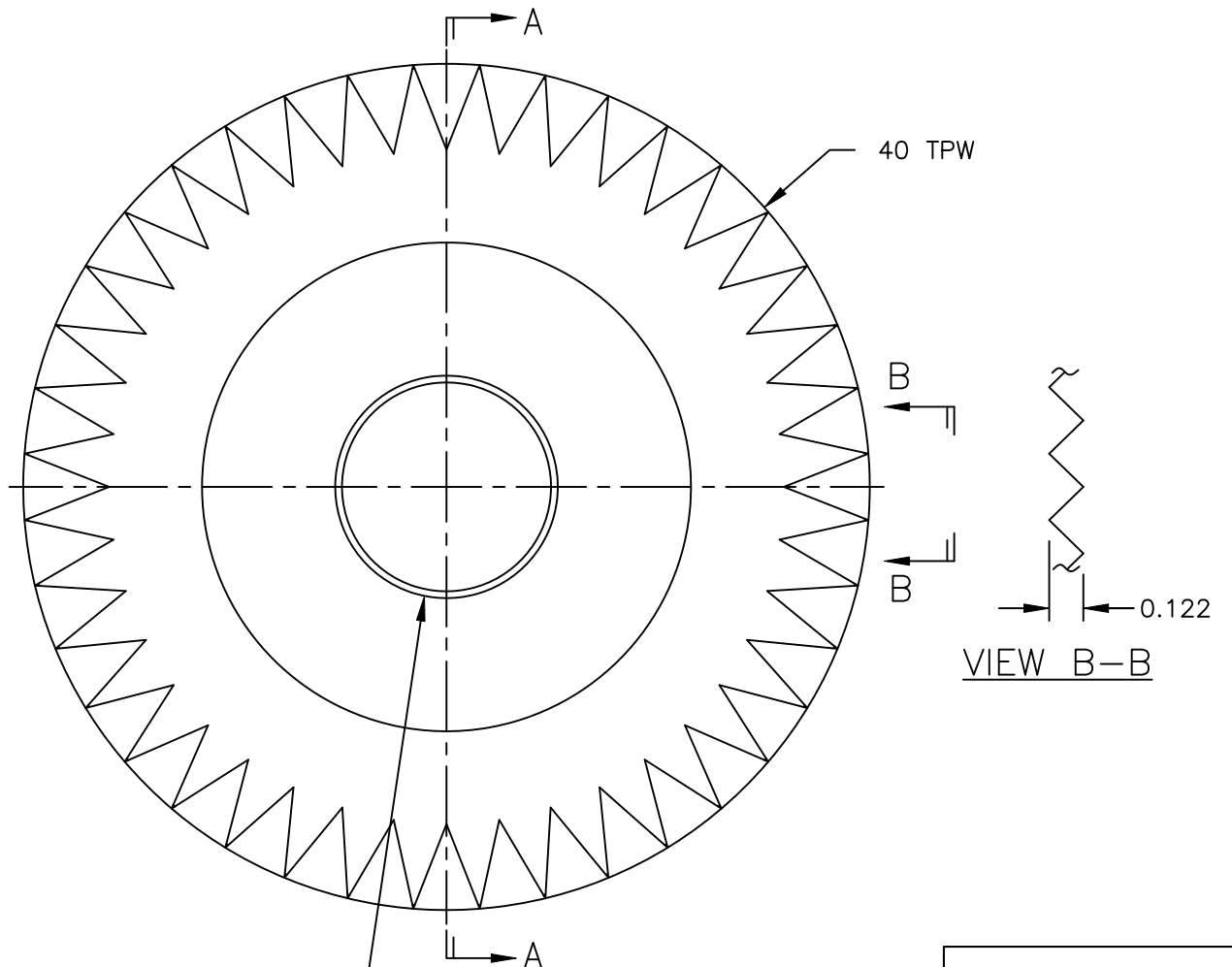


SECTION A-A



ID tolerance per customer requirements.

WEB PRINT

Pinker knives are typically made from 52100 or D2 steel and heat treated, to a hardness specified by customer requirements, up to 63 R/C.

**PORTAGE KNIFE COMPANY** MANUFACTURER OF SCORE SLITTERS AND PERFORATORS  
A DIVISION OF PORTAGE MACHINE CONCEPTS, INC. AKRON, OHIO (330) 784-0700

310P-40-122 Circular Knife

SIZE A	DWG NAME: W310P-40-122.dwg
-----------	-------------------------------

SCALE: NONE	DATE: 10/30/2018	DRAWN: D. MILLER	SHEET: 1 OF 1
-------------	------------------	------------------	---------------