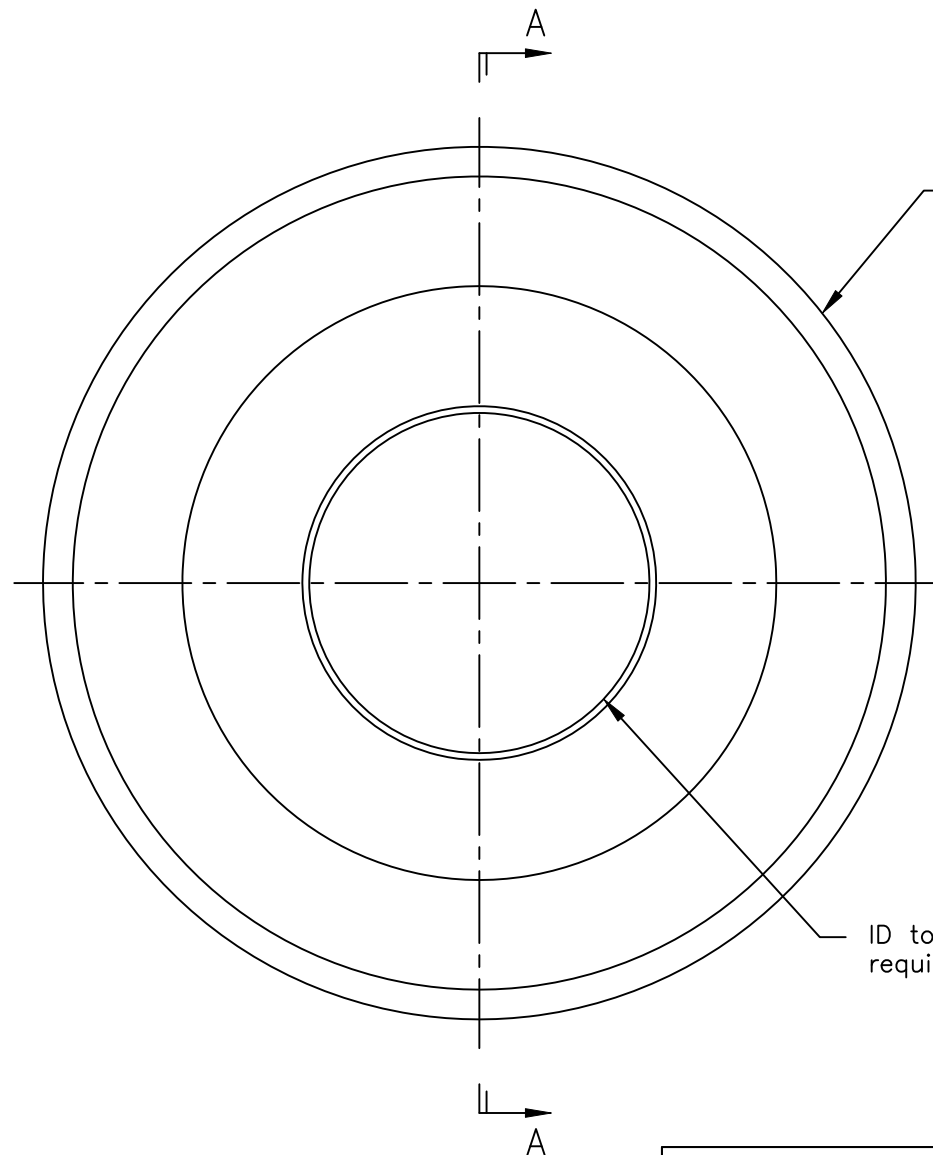


SECTION A-A



Cutting edge has a .002" or .005" radius.
Other edges available for quote.

ID tolerance per customer requirements.

WEB PRINT

Circular knives are heat treated, to a hardness of 60-62 R/C.

Made from M2 material.

PORTAGE KNIFE COMPANY MANUFACTURER OF SCORE SLITTERS AND PERFORATORS
A DIVISION OF PORTAGE MACHINE CONCEPTS, INC. AKRON, OHIO (330) 784-0700

360-60-M2 Circular Knife

SIZE A	DWG NAME: W360-60-M2.dwg
-----------	-----------------------------

SCALE: NONE	DATE: 10/10/2017	DRAWN: D. MILLER	SHEET: 1 OF 1
-------------	------------------	------------------	---------------