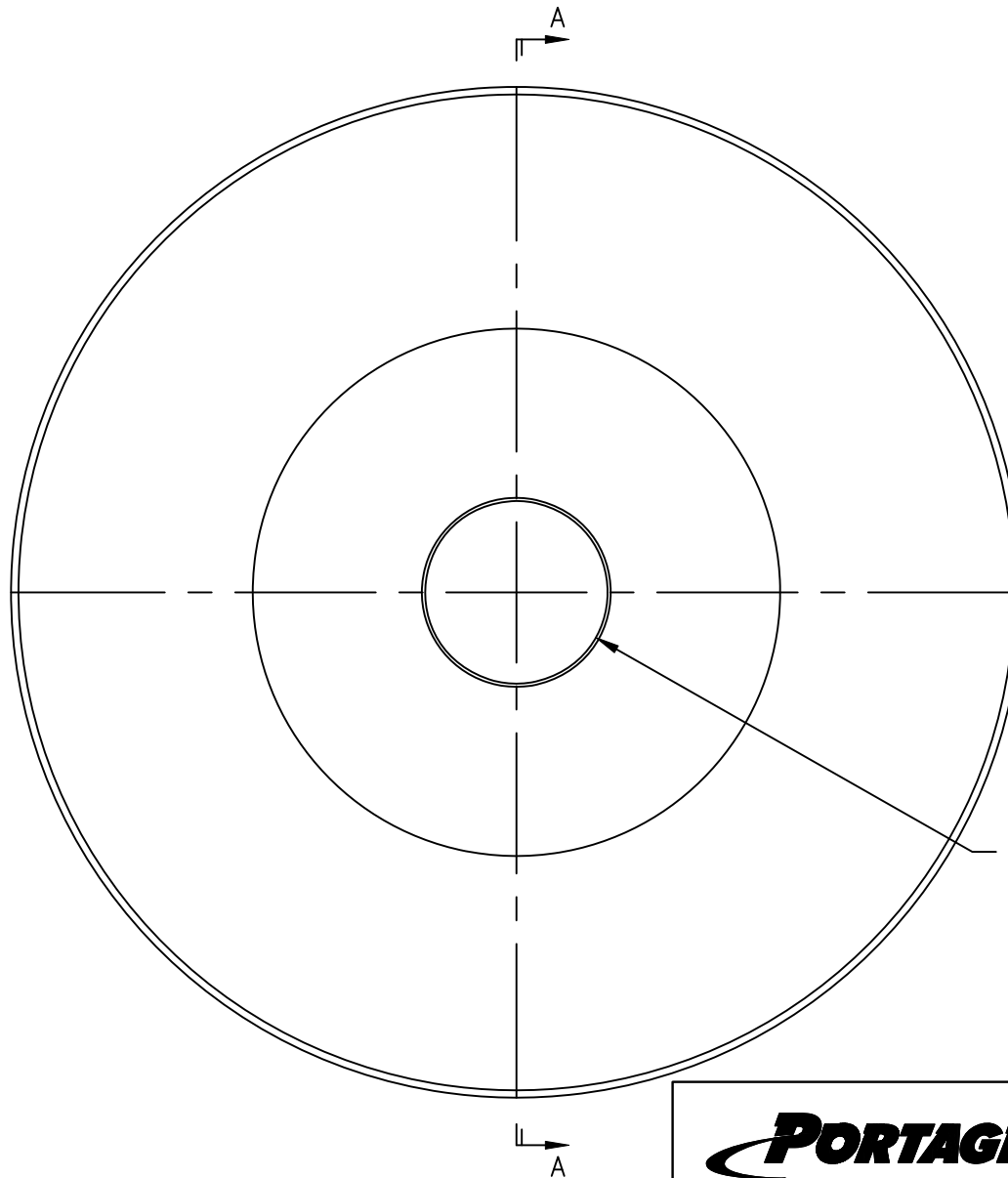


SECTION A-A

Circular knife is manufactured from 52100 material, heat treated to a hardness of 61-63 R/C.



ID tolerance per customer requirements.

WEB PRINT

PORTAGE KNIFE
COMPANY

MANUFACTURER OF
 SCORE SLITTERS
 AND PERFORATORS

A DIVISION OF PORTAGE MACHINE CONCEPTS, INC. AKRON, OHIO (330) 784-0700

478-30-002-Thin Core Cutter

SIZE A	DWG NAME: W478-30-002-Thin.dwg
-----------	-----------------------------------

This print and the intellectual content is the property of Portage Machine Concepts, Inc. and must not be copied, transmitted or disseminated, in any way, without the written permission of Portage Machine Concepts, Inc.

SCALE: NONE	DATE: 5/27/2021	DRAWN: D. MILLER	SHEET: 1 OF 1
-------------	-----------------	------------------	---------------