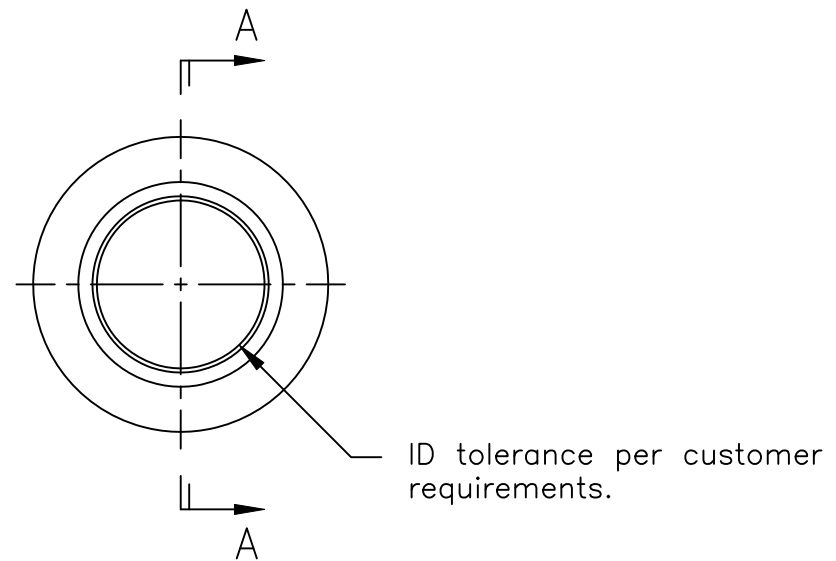


SECTION A-A



WEB PRINT

Circular knives are made from 52100 steel, heat treated, to a hardness of 59-61 R/C.

PORTAGE KNIFE COMPANY MANUFACTURER OF
SCORE SLITTERS AND PERFORATORS
A DIVISION OF PORTAGE MACHINE CONCEPTS, INC. AKRON, OHIO (330) 784-0700

0875-60-000 Circular Knife

SIZE A	DWG NAME: W0875-60-000.dwg
-----------	-------------------------------

SCALE: NONE	DATE: 11/10/2017	DRAWN: D. MILLER	SHEET: 1 OF 1
-------------	------------------	------------------	---------------

This print and the intellectual content is the property of Portage Machine Concepts, Inc. and must not be copied, transmitted or disseminated, in any way, without the written permission of Portage Machine Concepts, Inc.