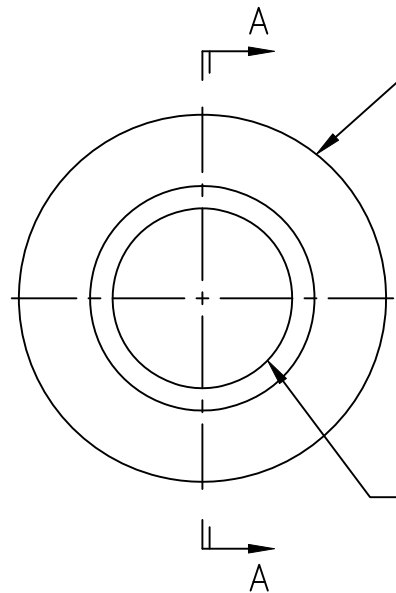


SECTION A-A



Cutting edge per customer requirements. Typically anywhere from a sharp edge up to a .007" radius.

Custom edges with other radii are also available.

ID tolerance per customer requirements.

WEB PRINT

Circular knives are heat treated, to a hardness specified by customer requirements, up to 63 R/C.

Our circular knives are typically made from 52100 steel, but are also available in other tool steels such as D2 and M2. Other materials are also available for quote.

**PORTAGE KNIFE**  
**COMPANY**

MANUFACTURER OF  
SCORE SLITTERS  
AND PERFORATORS

A DIVISION OF PORTAGE MACHINE CONCEPTS, INC. AKRON, OHIO (330) 784-0700

125-40 Circular Knife

SIZE  
A

DWG NAME:

W125-40.dwg

SCALE: NONE

DATE: 08/22/2017

DRAWN: D. MILLER

SHEET: 1 OF 1