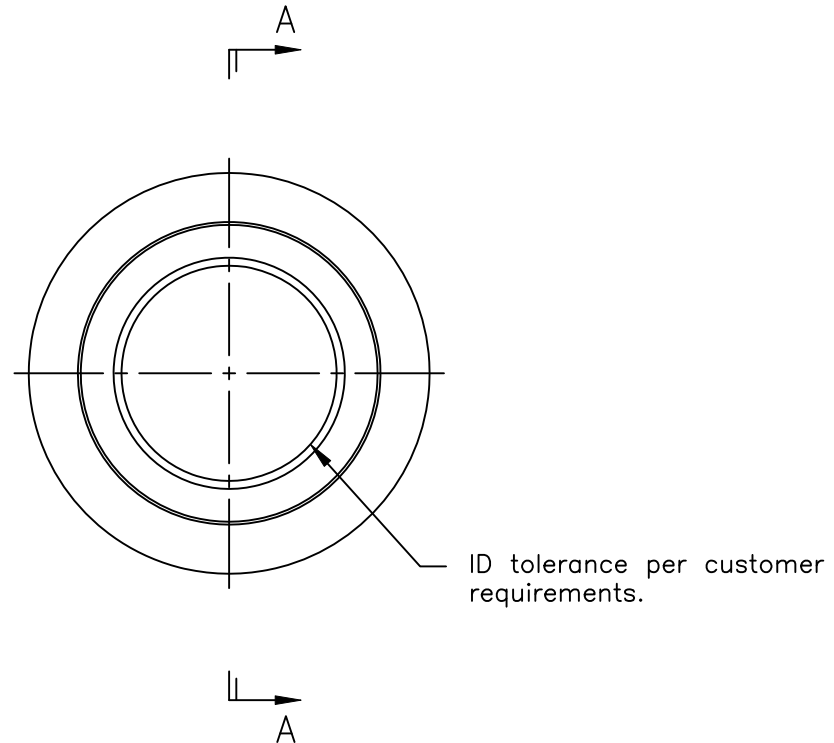


SECTION A-A



WEB PRINT

Circular knives are manufactured from D2, heat treated to a hardness of 57-59 R/C.

**PORTAGE KNIFE**  
**COMPANY**

MANUFACTURER OF  
 SCORE SLITTERS  
 AND PERFORATORS

A DIVISION OF PORTAGE MACHINE CONCEPTS, INC. AKRON, OHIO (330) 784-0700

137-30-004-D2 Circular Knife

SIZE  
 A

DWG NAME:

W137-30-004-D2.dwg

SCALE: NONE

DATE: 2/16/2021

DRAWN: D. MILLER

SHEET: 1 OF 1