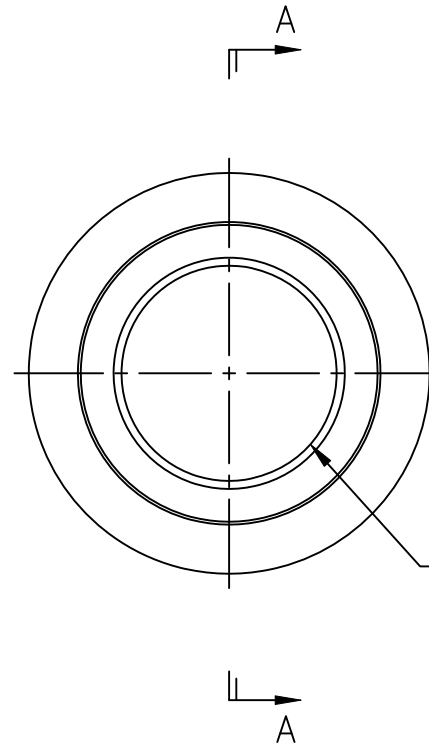


SECTION A-A



ID tolerance per customer requirements.

WEB PRINT

Circular knives are manufactured from D2, heat treated to a hardness of 57-59 R/C.

PORTAGE KNIFE
COMPANY

MANUFACTURER OF
 SCORE SLITTERS
 AND PERFORATORS

A DIVISION OF PORTAGE MACHINE CONCEPTS, INC. AKRON, OHIO (330) 784-0700

137-40-004-D2 Circular Knife

SIZE
 A

DWG NAME:

W137-40-004-D2.dwg

SCALE: NONE

DATE: 2/16/2021

DRAWN: D. MILLER

SHEET: 1 OF 1