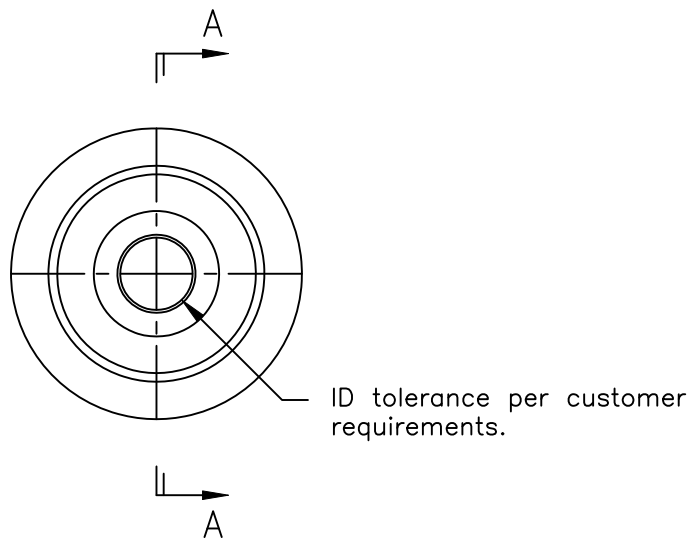


SECTION A-A



WEB PRINT

PORTAGE KNIFE COMPANY MANUFACTURER OF
SCORE SLITTERS AND PERFORATORS
A DIVISION OF PORTAGE MACHINE CONCEPTS, INC. AKRON, OHIO (330) 784-0700

147-30-0035-PMT15 Circular Knife

SIZE A	DWG NAME: W147-30-0035-PMT15.dwg
-----------	-------------------------------------

Circular knives are manufactured from PMT15, heat treated to a hardness of 58-60 R/C.

SCALE: NONE	DATE: 2/17/2021	DRAWN: D. MILLER	SHEET: 1 OF 1
-------------	-----------------	------------------	---------------

This print and the intellectual content is the property of Portage Machine Concepts, Inc. and must not be copied, transmitted or disseminated, in any way, without the written permission of Portage Machine Concepts, Inc.