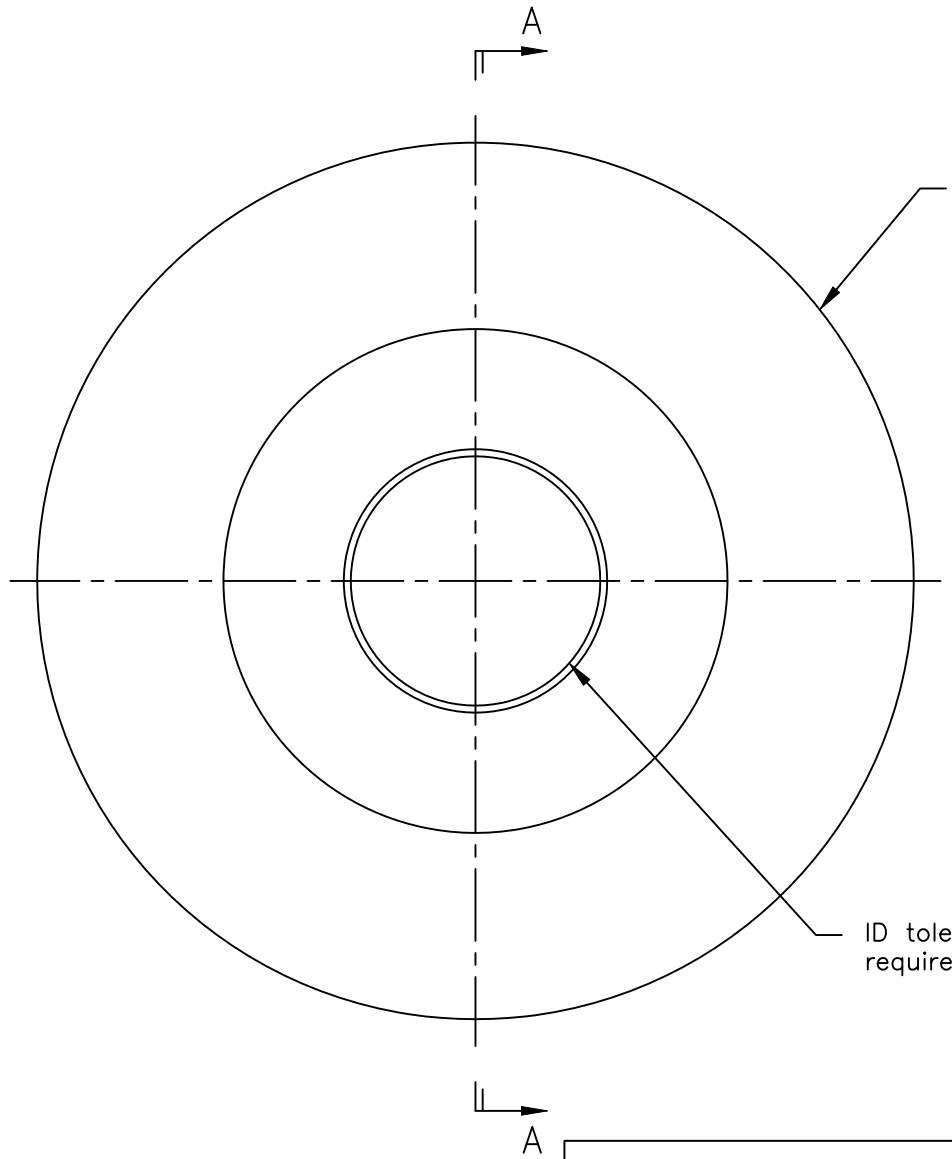


SECTION A-A



Unfinished OD. Edge per customer requirements.

ID tolerance per customer requirements.

WEB PRINT

Circular knives are made from 52100 or D2 steel, heat treated, to a hardness of 61-63 R/C.

**PORTAGE KNIFE COMPANY** MANUFACTURER OF SCORE SLITTERS AND PERFORATORS  
A DIVISION OF PORTAGE MACHINE CONCEPTS, INC. AKRON, OHIO (330) 784-0700

300-00-Square

|           |                                 |
|-----------|---------------------------------|
| SIZE<br>A | DWG NAME:<br>W300-00-Square.dwg |
|-----------|---------------------------------|

|             |                 |                  |               |
|-------------|-----------------|------------------|---------------|
| SCALE: NONE | DATE: 9/20/2017 | DRAWN: D. MILLER | SHEET: 1 OF 1 |
|-------------|-----------------|------------------|---------------|

This print and the intellectual content is the property of Portage Machine Concepts, Inc. and must not be copied, transmitted or disseminated, in any way, without the written permission of Portage Machine Concepts, Inc.