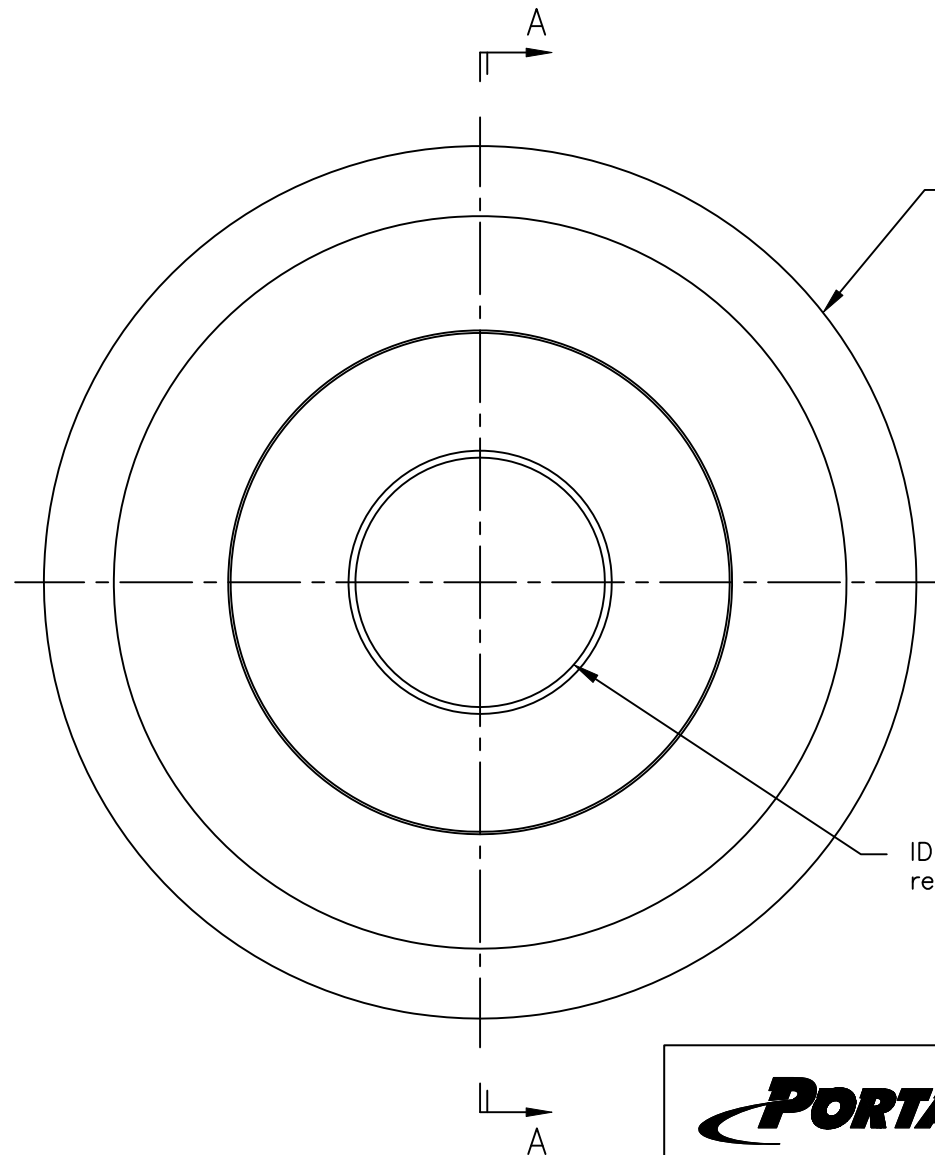


SECTION A-A



Cutting edge with
.005" wide flat.

ID tolerance per customer
requirements.

WEB PRINT

Circular knives are made from D2 material and heat treated to a hardness of 61-63 R/C.

PORTAGE KNIFE COMPANY MANUFACTURER OF SCORE SLITTERS AND PERFORATORS
A DIVISION OF PORTAGE MACHINE CONCEPTS, INC. AKRON, OHIO (330) 784-0700

300-18-005FLAT-D2

SIZE A	DWG NAME: W300-18-005FLAT-D2.dwg		
SCALE: NONE	DATE: 9/11/2018	DRAWN: D. MILLER	SHEET: 1 OF 1