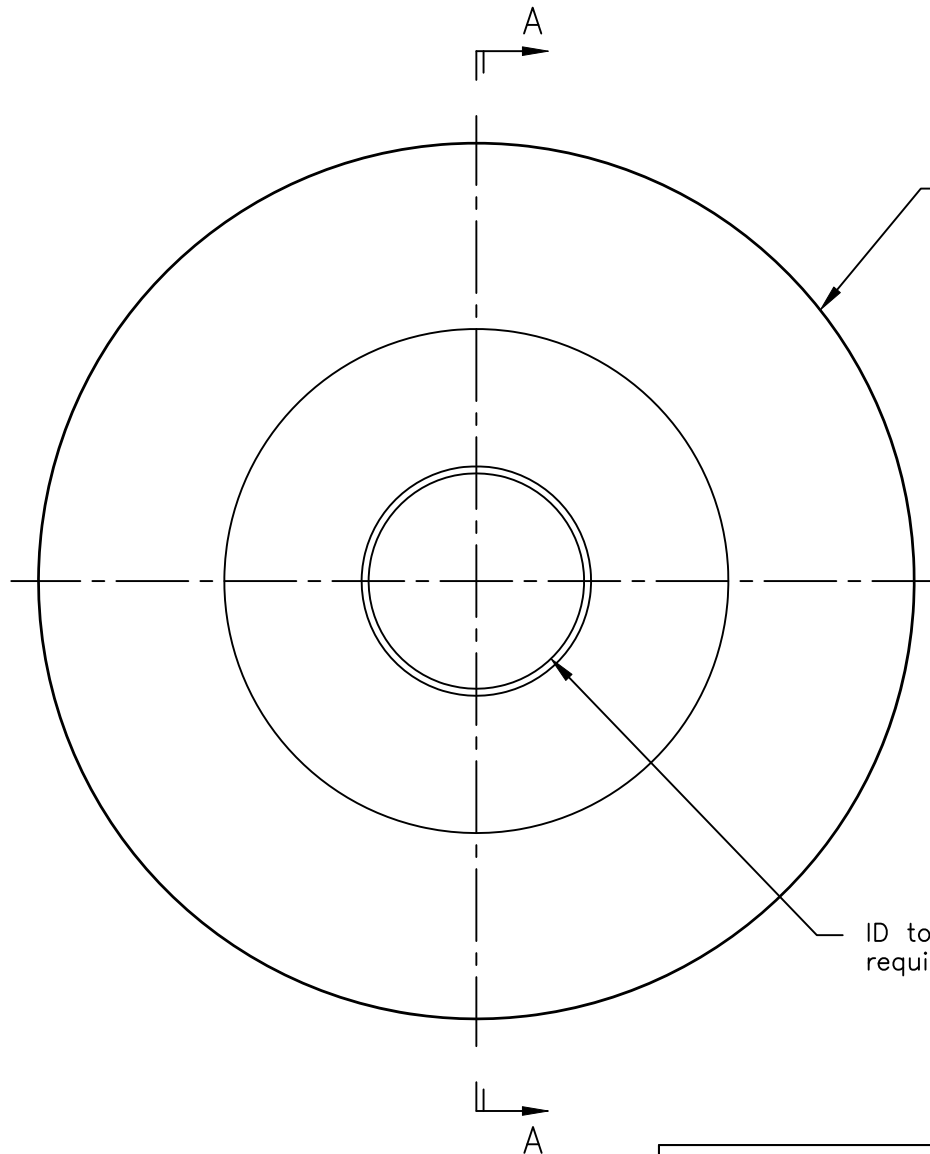


SECTION A-A



Unfinished OD. Edge per customer requirements.

ID tolerance per customer requirements.

WEB PRINT

**PORTAGE KNIFE**  
COMPANY

MANUFACTURER OF  
SCORE SLITTERS  
AND PERFORATORS

A DIVISION OF PORTAGE MACHINE CONCEPTS, INC. AKRON, OHIO (330) 784-0700

M310-00-UNGE Circular Knife

SIZE  
A

DWG NAME:

W310-00-UNGE.dwg

SCALE: NONE

DATE: 6/13/2018

DRAWN: D. MILLER

SHEET: 1 OF 1

Circular knives are made from 52100 or D2 steel, heat treated, to a hardness of 61-63 R/C.

This print and the intellectual content is the property of Portage Machine Concepts, Inc. and must not be copied, transmitted or disseminated, in any way, without the written permission of Portage Machine Concepts, Inc.