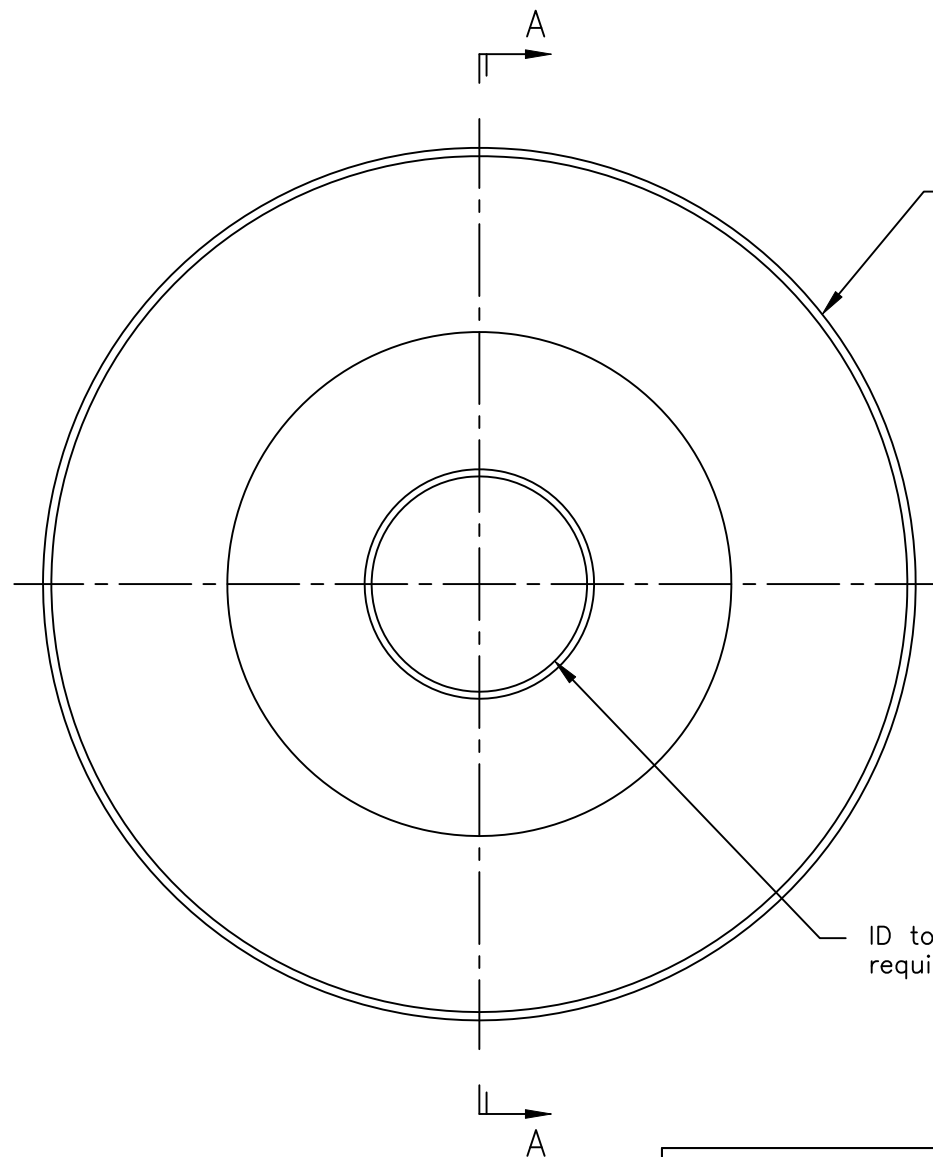


SECTION A-A



Cutting edge has a .001" radius.

ID tolerance per customer requirements.

WEB PRINT

Circular knives are heat treated, to a hardness specified by customer requirements, up to 63 R/C.

Circular knives are made from 52100 or D2 steel, but other materials are available for quote.

PORTAGE KNIFE COMPANY MANUFACTURER OF SCORE SLITTERS AND PERFORATORS
A DIVISION OF PORTAGE MACHINE CONCEPTS, INC. AKRON, OHIO (330) 784-0700

330-45-THIN Circular Knife

SIZE	DWG NAME:
A	W330-45-THIN_025_055 RIM.dwg

SCALE: NONE	DATE: 1/30/2019	DRAWN: D. MILLER	SHEET: 1 OF 1
-------------	-----------------	------------------	---------------