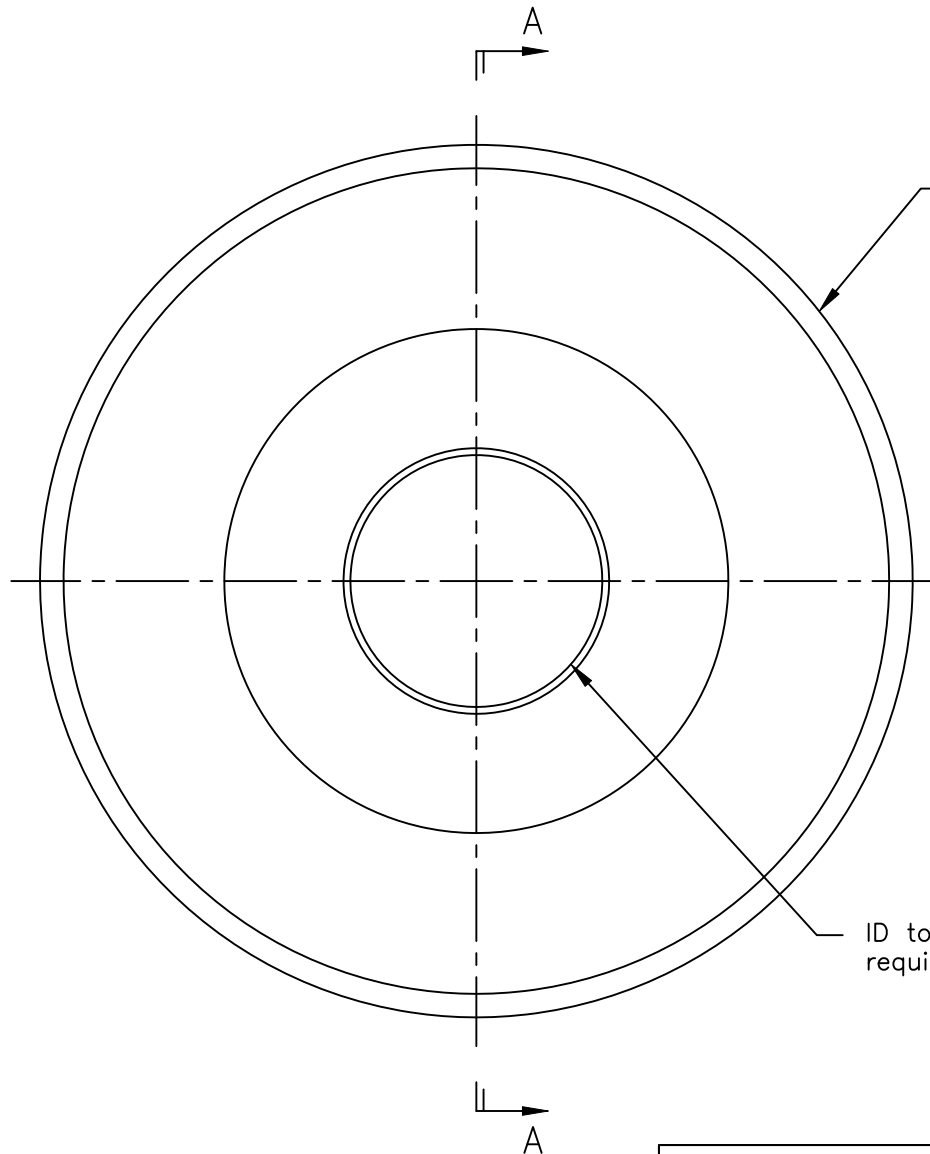


SECTION A-A



Cutting edge is typically a .005" radius.
 Custom edges are also available.

ID tolerance per customer requirements.

WEB PRINT

Circular knives are made from 52100 or 07, and heat treated to a hardness of 61-63 R/C.

PORTAGE KNIFE COMPANY MANUFACTURER OF SCORE SLITTERS AND PERFORATORS
 A DIVISION OF PORTAGE MACHINE CONCEPTS, INC. AKRON, OHIO (330) 784-0700

345-60-005 Circular Knife

SIZE A	DWG NAME: W345-60-005.dwg
-----------	------------------------------

This print and the intellectual content is the property of Portage Machine Concepts, Inc. and must not be copied, transmitted or disseminated, in any way, without the written permission of Portage Machine Concepts, Inc.

SCALE: NONE	DATE: 03/29/2019	DRAWN: D. MILLER	SHEET: 1 OF 1
-------------	------------------	------------------	---------------