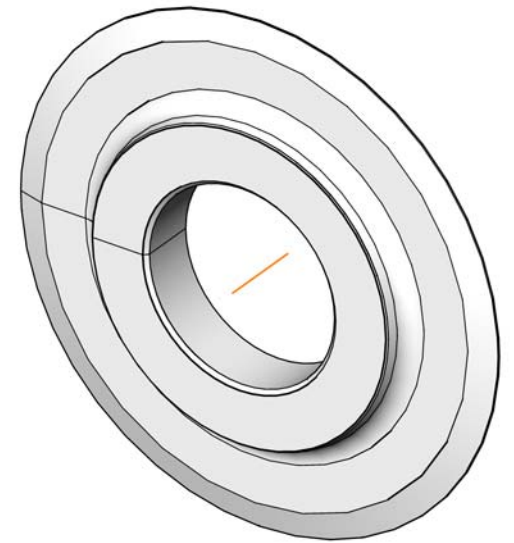
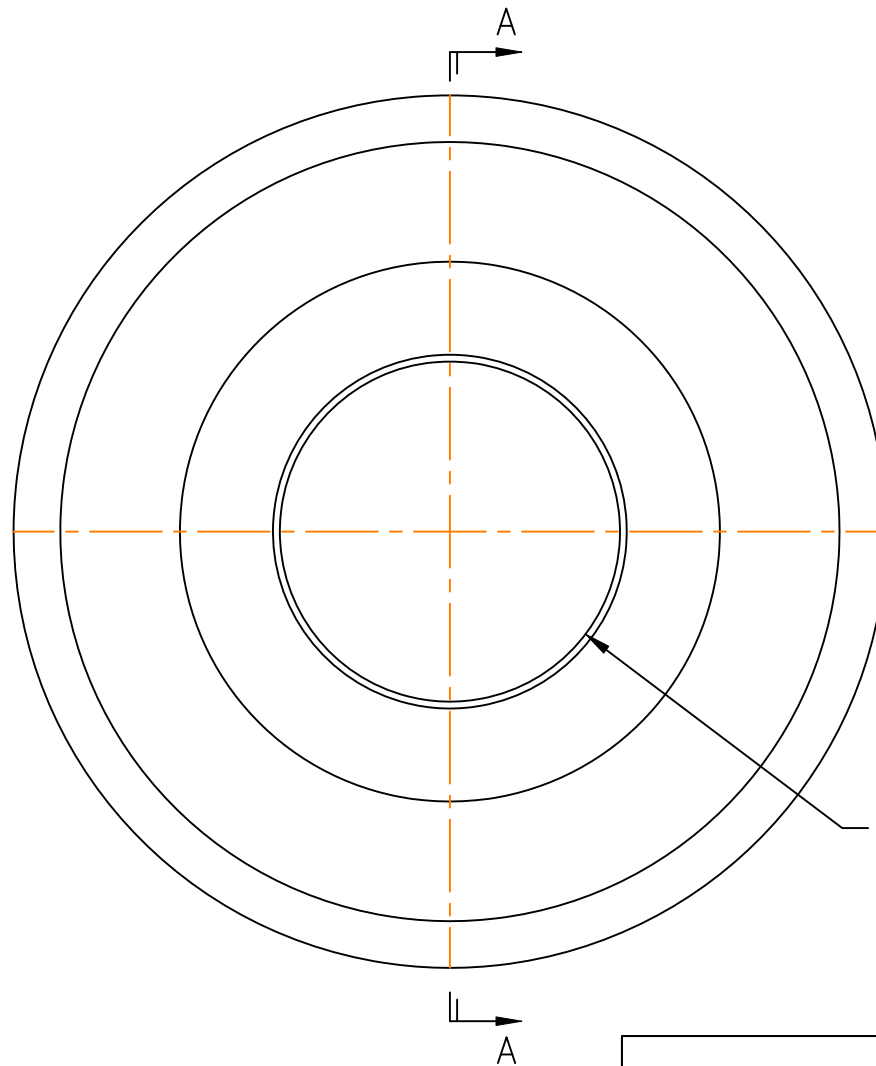


SECTION A-A



Standard Tolerance Bore

Website Drawing

Unless noted otherwise, all dimensions are nominal.

Circular knife is manufactured from D2 material, heat treated to a hardness of 61-63 R/C.

PORTAGE KNIFE
COMPANY

MANUFACTURER OF
SCORE SLITTERS
AND PERFORATORS

A DIVISION OF PORTAGE MACHINE CONCEPTS, INC. AKRON, OHIO (330) 784-0700

360-30-002-D2 Circular Knife

SIZE
A

DWG NAME:

W360-30-002-D2.dwg

SCALE: NONE

DATE: 7/07/2021

DRAWN: D. MILLER

SHEET: 1 OF 1