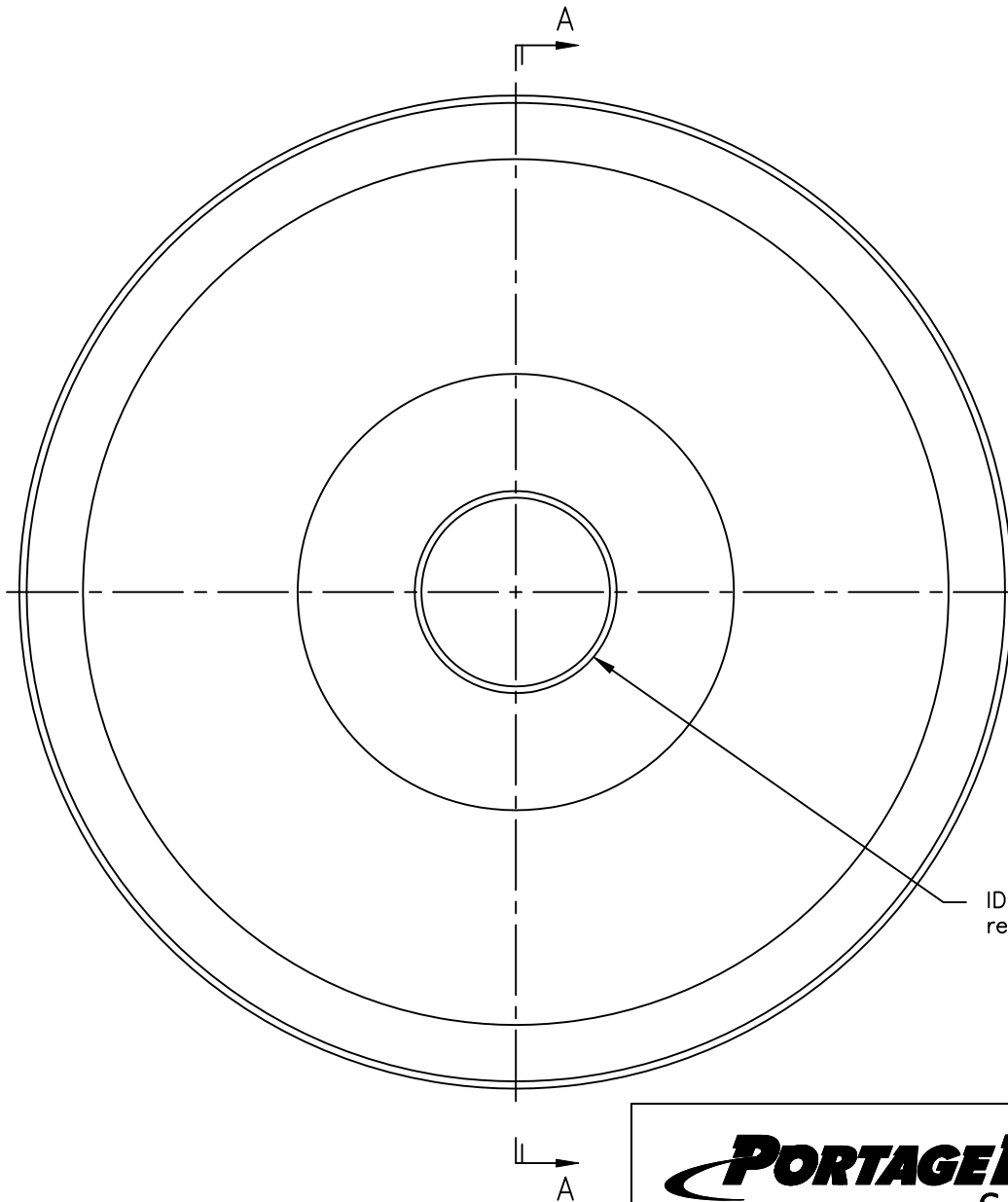


SECTION A-A



ID tolerance per customer requirements.

WEB PRINT

Circular knife is made from D2 material and heat treated to a hardness of 60-62 R/C.

**PORTAGE KNIFE** MANUFACTURER OF  
**COMPANY** SCORE SLITTERS  
 AND PERFORATORS  
 A DIVISION OF PORTAGE MACHINE CONCEPTS, INC. AKRON, OHIO (330) 784-0700

390-60-005-D2 Circular Knife

SIZE	DWG NAME:
A	W390-60-005-D2.dwg

SCALE: NONE	DATE: 11/29/2018	DRAWN: D. MILLER	SHEET: 1 OF 1
-------------	------------------	------------------	---------------