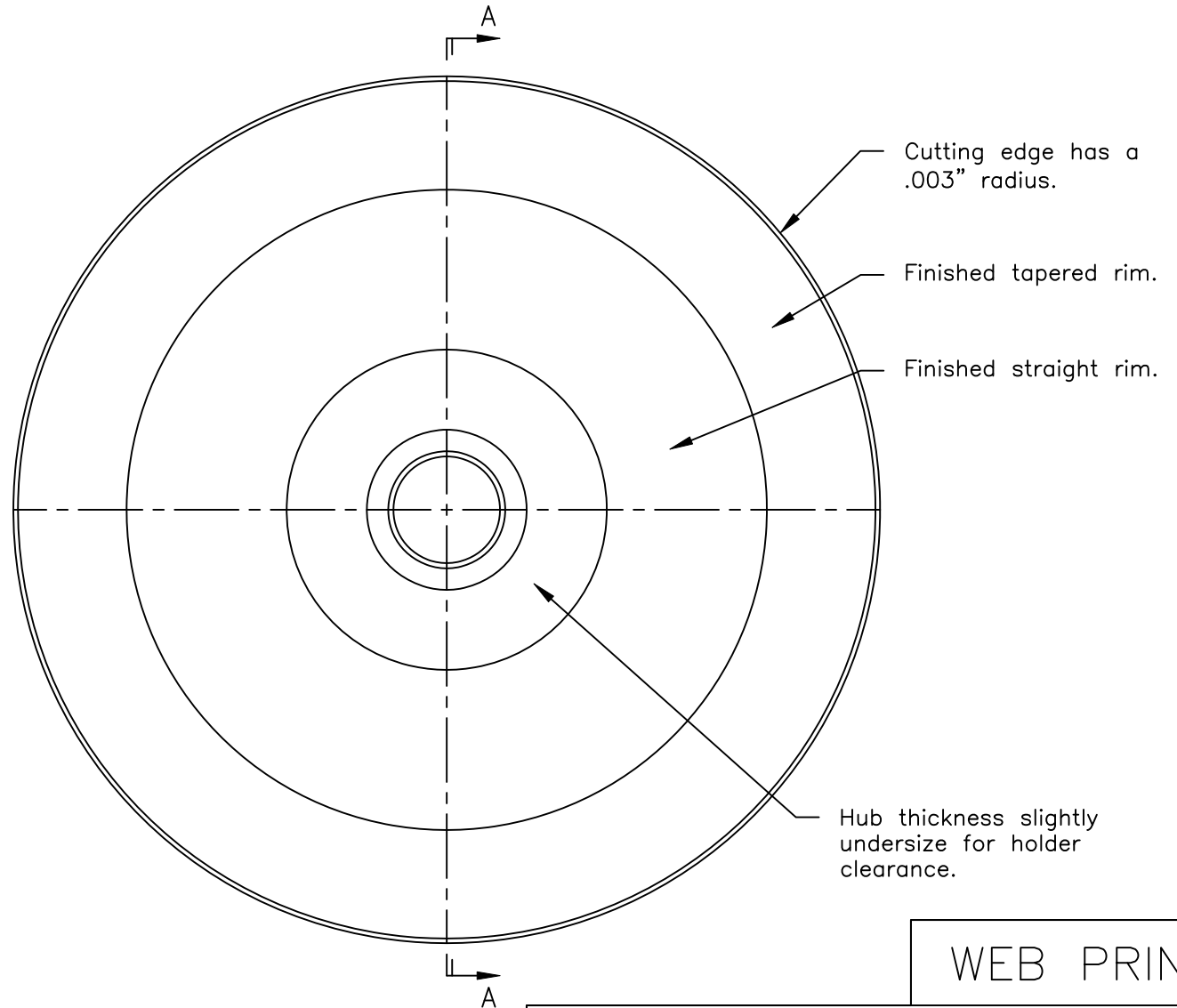


SECTION A-A



WEB PRINT

Circular knives are made from 52100 steel, heat treated to a hardness of 60-62 R/C.

**PORTAGE KNIFE COMPANY**

MANUFACTURER OF  
SCORE SLITTERS  
AND PERFORATORS

A DIVISION OF PORTAGE MACHINE CONCEPTS, INC. AKRON, OHIO (330) 784-0700

422-40-003-Thin-CI, Core Cutter

SIZE A	DWG NAME: W422-40-003-Thin-CI.dwg
-----------	--------------------------------------

SCALE: NONE	DATE: 10/3/2019	DRAWN: D. MILLER	SHEET: 1 OF 1
-------------	-----------------	------------------	---------------